

ALFANO 6

GPS

GALILEO EU
Navstar US
Glonass RU

GALILEO

Globe Navigation
Satellite Systems
HIGH Precision



ALFANO signs the future

ALFANO 6

Alfano presents its new Alfano 6 data acquisition system. A combination of technology and reliability made to satisfy, from amateurs to professional drivers. From design to production, the Alfano 6 has been created for an ease of use that surprises you.

Features of Alfano 6: Alfano 6 captures at the same time three groups of GPS satellite systems (unique in the sector); American NAVSTAR - Russian GLONASS - **European GALILEO new**, for accuracy of lap times, speed and trajectory never reached before.



The Alfano 6 has a database with more than 2500 circuits in memory. Use our APP regularly to update your Alfano 6, to benefit also from an increasingly enriched database.

With its 268x128 pixel display, you can monitor all information clearly.

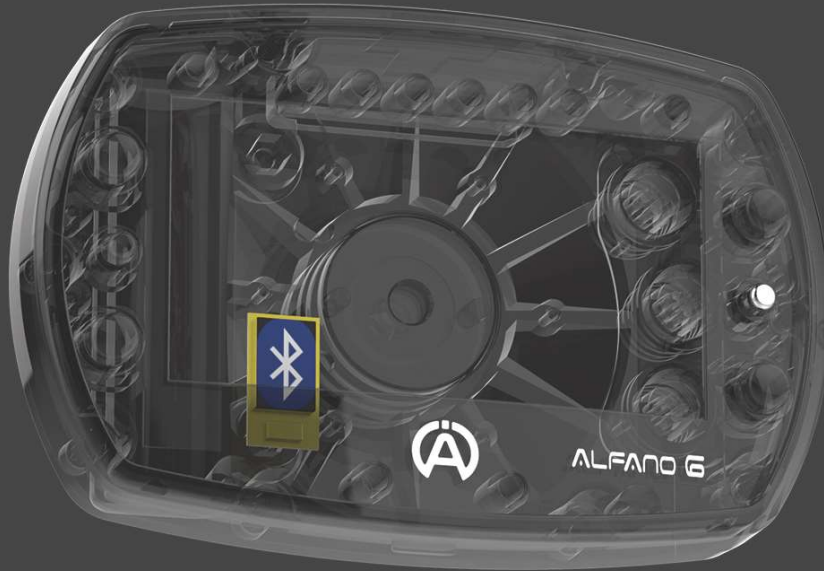
The Alfano 6's display has a 6 color backlight with 3 levels of brightness. The Alfano 6 has an ambient light sensor that will activate the backlight in case of lack of visibility on the screen.

You can choose up to 5 race displays (1 default and 4 to customize according to your choice), to adapt the reading of acquired data such as lap times, split times, temperatures, speed, gear engaged and more...

Alfano 6 is equipped with 8 individually configurable LEDs, with the possibility to choose the color and the activation values. You can choose to activate the 6 LEDs in the center of the Alfano 6, either for the engine speed (RPM) or for the exhaust temperature, or for the delta lap time, or for the delta intermediate time. The 2 external LEDs are configurable for temperature alarms.

ALFANO 6

Alfano 6 is equipped with Bluetooth communication for downloading data and for updating the Alfano 6. The Bluetooth activates with a single press on the small button on the right.



Alfano 6 is equipped with a high capacity rechargeable lithium ion battery. The Alfano 6 can be connected to an external extra battery (optional).



IP56

Compatible with Pro3 Evo sensors.

ALFANO 6

A1060

GPS:

Navstar - US
Glonass - RU
Galileo - EU

Bluetooth: compatible
PC, Android, iOS

Screen:

268x128 pixels

Backlight: brightness,
6 colors

Tracks database: 2.527 currently

Power supply: Lithium Ion battery,
provided with USB battery charger
and cable A4510

T° NTC (Water / spark plug)

+

T° K (Exhaust)

Charge battery / Box12 / USB Download

Magnetic / I.R

+

Speed

RPM



IP56



Extensions for temperature sensors :

A3301 for a NTC sensor, A3401 for a K sensor, A2190 (hub) for two NTC + K sensors.

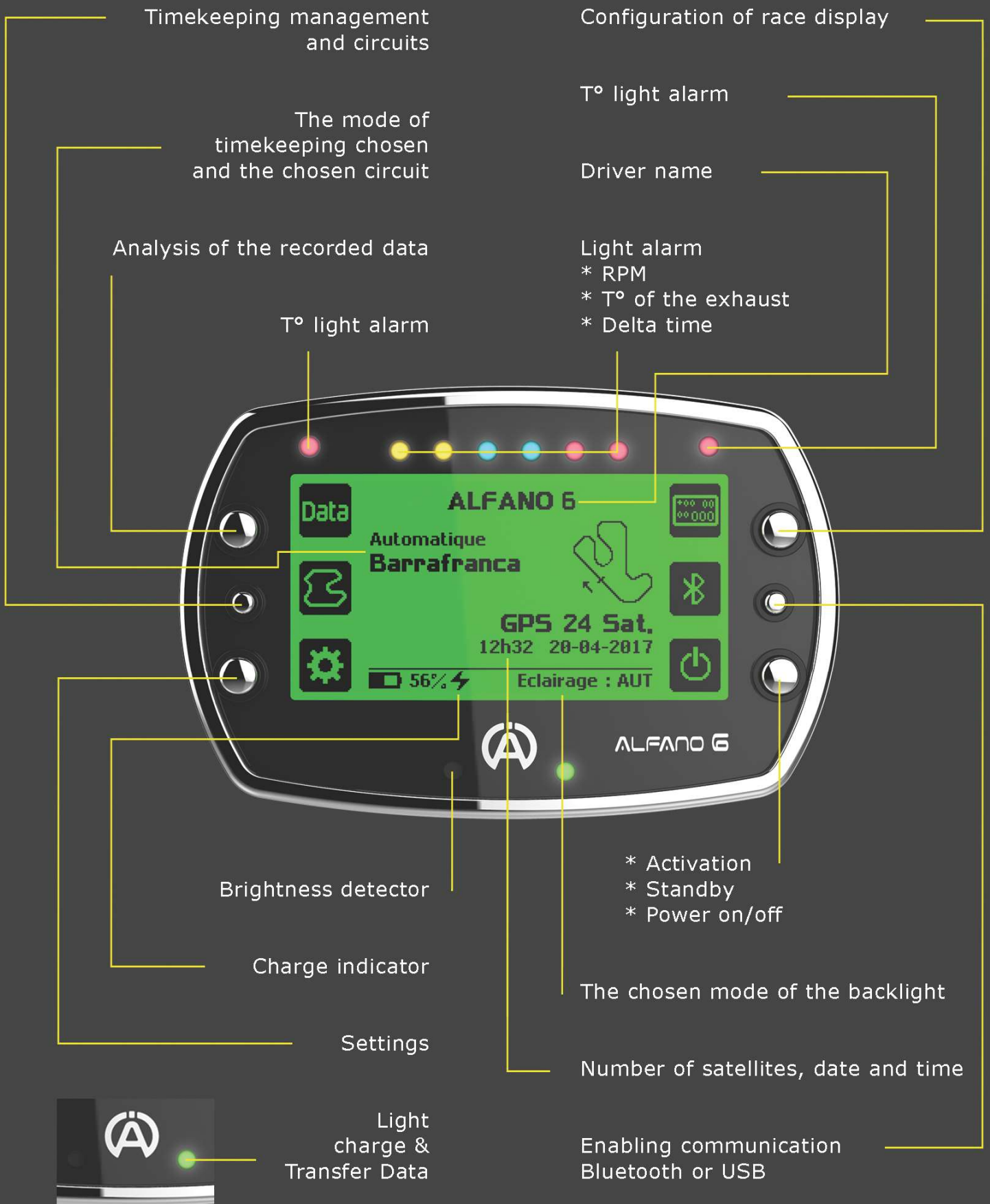
To connect the speed sensor to the ALFANO6, it is necessary to have a hub :

The A2192 hub is used to connect the magnetic sensor and the speed sensor.

The A2193 hub is used to connect the infrared sensor and the speed sensor.

ALFANO 6

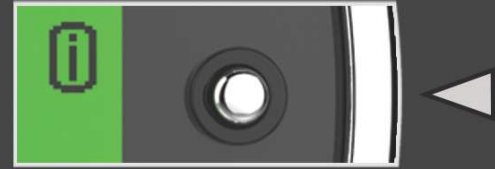
Home page



ALFANO 6

Settings

Feel free to use the information buttons to discover the many possibilities of ALFANO 6



Transmission, Speed sensor, RPM, Measure unit, date-hour System information

*Fixed values, **lap summary, indicator of 6 LEDs, left LED alarm, right LED alarm, screen contrast

Power, backlight and LED colors

Driver's name



Activation and reset of time and distance counters

Erasing data

Languages

Tracks consultation

* Fixed values :

Increase the high and low values of your information on the screen during the race

** Lap summary :

A window appears after the completed lap to show the main information of the lap.

ALFANO 6

Track Management

1) AUTOMATIC

ALFANO 6 automatically selects the nearest track from the ALFANO database and from the tracks created.

In the case where several circuits will be available for the same place, the ALFANO 6 will be in semi-automatic mode to allow you to choose the desired circuit.

Direct access button >>>

If the track is non-existent, ALFANO 6 will automatically create it by driving on the track. Then, it is possible to modify the tracks created in the PROFESSIONAL mode.

2) PROFESSIONAL

The ALFANO 6 allows you to manually select your track among those created.

If the track is non-existent, it will automatically create it by driving on the track.

This menu can also force the creation of a new track by GPS or Magnetic / IR. Tracks created can be changed in this menu.

3) CLASSIC MAGNETIC / IR

Allows you to create a track by Magnetic/IR regardless of GPS

4) CLASSIC MAGNETIC / IR

ALFANO 6 records the data between a starting point and a point of arrival. the beginning and end of this recording occurs through RPM detection or speed.



Note : The tracks provided by ALFANO cannot be modified or renamed, unlike circuits created with ALFANO 6.



ALFANO 6

Race display screens



<<< Direct access button

With the ALFANO 6, it is possible to design 4 customized configurations of your race display and use them during the race. Thanks to a simple and original interface, you can choose through a very complete list, the information of your choice, move, resize and change screen color theme between light and dark.



As you drive, just press the button on the top right to go from one screen to another. A small number at the top left identifies the displayed screen.

Tip: to display the screen in its actual size during its design, press OK on this icon.



Press again the same button to return to the creation window.



ALFANO 6

APPs & Software



Press on this button to quickly turn on the Bluetooth connectivity, even when the Alfano 6 is off.

<<< **Direct access button**

Download your datas on smartphone, tablet and PC. Nothing simpler with the Alfano 6.

APPS

Alfano is continually developing it's offer in Apps for Android and iOs. Professionally analyze your datas thanks to it's intuitive interface and benefit from our latest updates via our Apps for an optimal use of your Alfano 6.

Download our Apps for free
 *Google play for Android
 *APP Store for iOs.



ADA

Alfano Data Analysis

PC Software for Windows designed by our engineers. Download your videos and sync them with your datas www.alfano.com/ada





The GPS circuit I use from the database in AUTOMATIC mode does not have partials.

How do I add partials?

If in the database the circuit does not correspond to your expectations, you must design a new circuit in PROFESSIONAL mode. In the professional menu, choose "create new circuit", then ride on the circuit. At the end of the first lap, the circuit will be created with a single GPS starting point, the new circuit will be identified with the name TRACK GPS *** plus the date and time of this creation. At the end of the session, go back to the same menu and choose "edit". At this point you can modify the circuit you have created, move the starting point, add partials to the desired locations and rename the circuit. For future sessions, this circuit will be ready to use.

I want to design a circuit with magnetic strips. Should I use the MAGNETIC CLASSIC mode?

The "CLASSIC MAGNETIC" mode is an option rather reserved for "Indoor" circuits, the places where the GPS does not work correctly. If you are outside, choose the "PROFESSIONAL" mode. In this window, indicate the magnetic field of the desired departure, then drive. At the end of the first lap, Alfano 6 creates the circuit with the correct number of magnetic fields. It is possible later to modify the circuit; for example to modify the magnetic start, add partials, etc ... IMPORTANT: For the next race on the circuit, if the magnetic sensor is not connected, the Alfano 6 will automatically replace the magnetic strips by GPS points.

In the early laps, the Alfano6 did not start the timing?

Before driving on the track, make sure you have good satellite reception. Be aware that the GPS signal is hard to pierce roofs, especially metal ones. One advises, as soon as you activate the ALFANO 6 or you leave the stands covered with a roof, take the time to wait outside to get a good GPS signal before browsing a new session. , the Alfano 6 can capture up to +/- 30 satellites, it takes a minimum of 10 satellites to start the timing. Keep in mind that the more satellites you capture, the better it is for timing and tracking.

How can I save the gearbox reports?

Before proceeding with this operation, the Alfano 6 must be equipped with a Hub cable PN A2192 or (A2193), a speed sensor PN A2201 and RPM cable. In the "Transmission settings" menu, choose "Gearbox", then configure the number of gears and finally "start learning". Gearbox reporting can be done on the track, but it is more convenient to do this on the kart stand.

How can I recharge the battery?

The Alfano 6 can recharge its battery with any USB source, USB charger, USB port of a PC, external USB battery. Use the USB charging cable supplied with Alfano 6, PN A4510

When the Alfano 6 is off, can it restart automatically in the presence of RPM signal?

As soon as the engine is started, the Alfano 6 is reactivated automatically when it is in Standby mode. There are two ways for the Alfano 6 to be in Standby mode. The first way, the Alfano 6 automatically enters Standby mode after 10 minutes of inactivity. The second way is a short press on the power button. The duration of time in Standby is 300 minutes, then the Alfano 6 switches off.



Is the Alfano 6 equipped with a brightness sensor?

Yes, Alfano 6 activates the backlight according to the ambient light. In the "brightness" menu, select "auto".

Alfano 6 switches off or does not work properly while driving?

The problem may come from the boot or spark plug used. Boots or spark plugs without internal resistance generate electromagnetic interference that causes problems on the complex electronics of the Alfano 6. The solution to the problem is the use of a boot or spark plug with internal resistance, identifiable by the code of the product with the initials "R". Another precaution, avoid wrapping the RPM wire around the ignition coil, use the red clips provided.

Are the six central LEDs configured for the RPM only?

NO, you have the choice to use these LEDs, either for the RPM, the exhaust sensor temperature, the difference in lap time or partial times. For the RPM, it is possible to define a threshold (from 0 to 16,000). In case of higher RPM, change the maximum value in "rpm settings". For lap time or partial difference, each of the six central LEDs represents one-tenth of a second. The green LEDs indicate a lead on the best lap of the current session while the red LEDs indicate a delay.

I notice that the temperature measured of the exhaust with the ALFANO sensor is higher than that of the competition?

Each sensor brand has a more or less rapid reaction dynamics. ALFANO has opted for a very sensitive sensor, A2151 « Quality Professional » therefore more reactive. The measured temperature is not constant on a motor, accelerations and decelerations vary abruptly, our sensors are able to measure higher temperature peaks and lower temperature peaks. Our exhaust sensors are recognized by the best teams, as they allow for a more precise adjustment of the carburation.

How to download the data or update the Alfano 6?

For downloading and analyzing data, you have our free APPs on Android and iOS that are continually updated. For professionals accustomed to the PC, we have the **A.D.A** software on Windows PC. For the update of the Alfano 6, all our APPs have a firmware version. It is important to check if you have the latest version of APP on your smartphone or tablet. The download is via Bluetooth or the USB port. To use the USB option on your smartphone or tablet, please have the PN A4520 and a special OTG cable sold in computer stores. Once connected, the app will notify you if there is a new firmware available for your Alfano 6, you can then update through our app.

I notice that in my Alfano 6, there are spelling mistakes, ... Bug?

We are constantly evolving, do not hesitate to send us your comments on info@alfano.com, we will act very quickly. You can easily send your saved data to ALFANO S.A. from your APP. This will also improve the circuit database.

OPTIONS

PN. A1302

Magnetic sensor - 90cm



PN. A2101

Water sensor «ntc» - 45cm



PN. A2104

Spark plug sensor «ntc» - 45cm



PN. A2610

Hose adapter 17mm for A2101 - A2111



PN. A3301

Extension for sensor «ntc» - 135cm



PN. A2151

Exhaust sensor «k» - 40cm



PN. A2190

Extension Y for «ntc + k» - 135cm



PN. A2201

Speed sensor - 195cm



PN. A2192

Hub magnetic + speed - 20cm



PN. A4461

Ring 4 mag. for A2201 - 50mm



PN. A4510

USB charger cable - 200cm



PN. A4520

USB Download DATA cable - 150cm



BOX

Expansions

PN. A1160



BOX12

* integrated g-force sensor

You can connect :

- * 1 ALFANO6
- * 4 temperature sensors (Hub)
- * 4 position sensors
- * 4 speed sensors (Hub)
- * 1 analog input
- * 1 Lambda sensor
- * 1 connection Bus
- * 1 input : battery charge external power supply
- * 1 input RPM: signal PWM

PN. A1204



BOX4MOVE

* integrated g-force sensor

You can connect :

- * 1 ALFANO6
- * 3 position sensors

PN. A2405

Pedal position sensor - 120cm



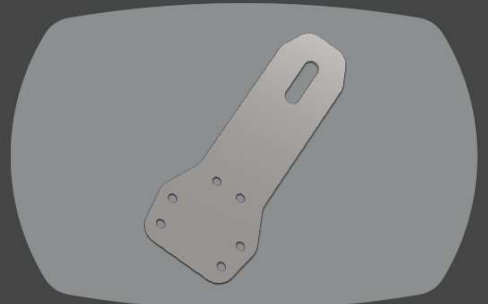
PN. A2401

Stee. wheel movement sensor - 80cm



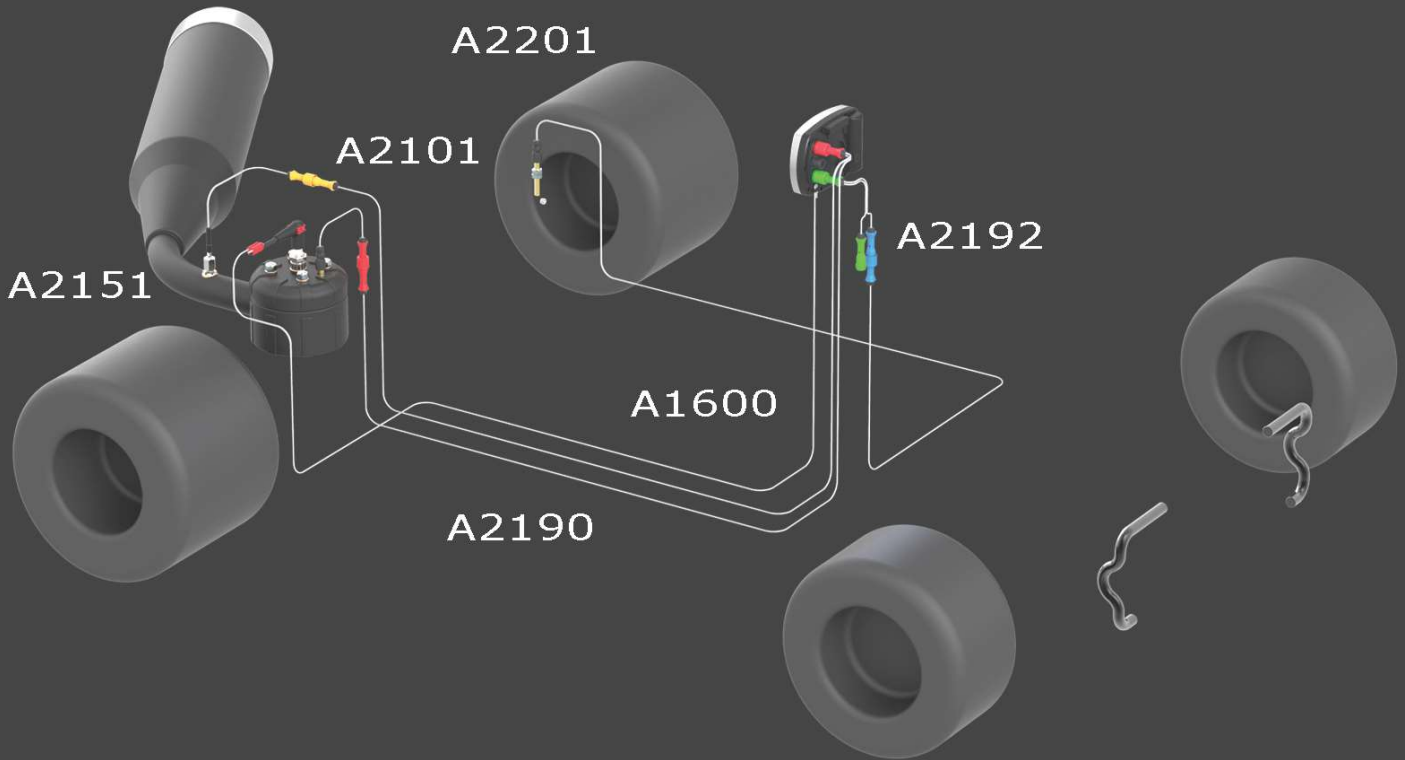
PN. A0576

Support alfano6 for tonykart

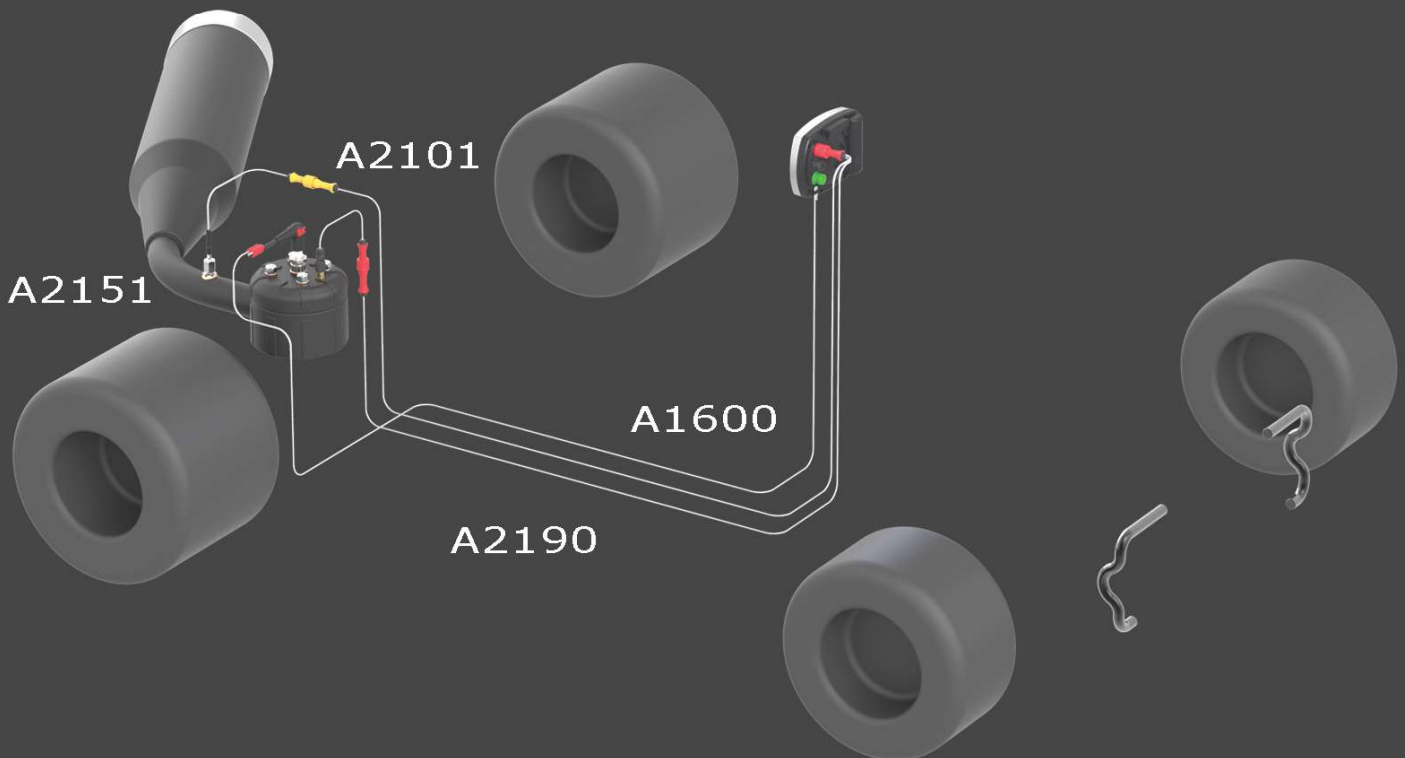


Full range of our sensors and accessories on www.alfano.com

ALFANO 6 PACK 3



ALFANO 6 PACK 4



Join us...



facebook

Alfano Laptimers



Instagram

Alfano Laptimers



Web site

alfano.com

ALFANO S.A.

Rue de l'Industrie, 3b
1400 Nivelles (Belgium)
info@alfano.com

V6 01-07-2020